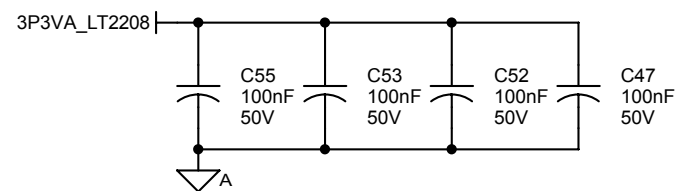
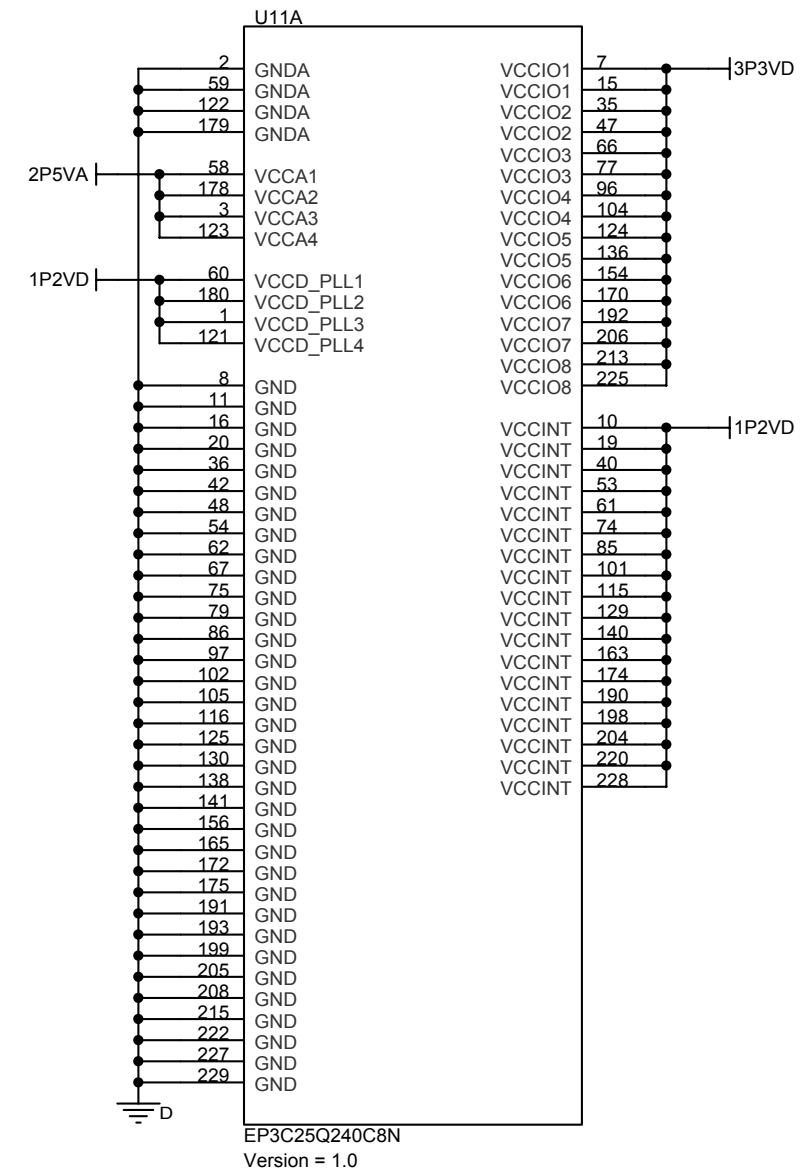
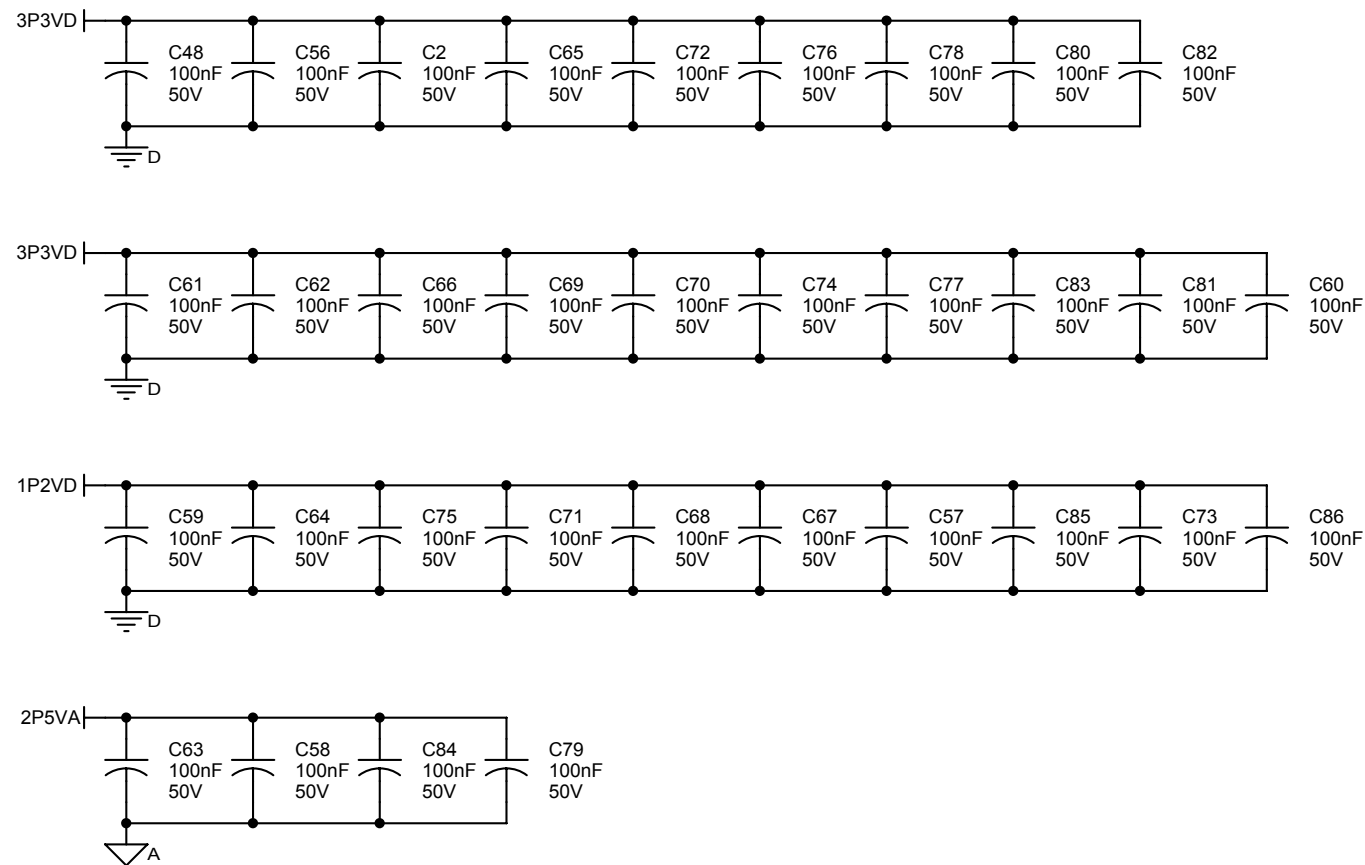


Revision History

Date	Revision	By	Description
28 Jan 2008	XA0	WA2DFI	Initial drawing from VK6APH, KK7P and N8VB versions
29 Jan 2008	XA1	WA2DFI	Multiple revisions
24 Feb 2008	XA3	KK7P	Added Copyright notices
15 Mar 2008	XA4	WA2DFI	Swap pins on J4, J13; add PTC on +12V; add res to DATA1 line
01 Apr 2008	XA5	KK7P	Multiple revisions
07 Apr 2008	XA6	WA2DFI	Cosmetic and part number revisions only
03 Jun 2008	XA7	WA2DFI	Change input XFMR to TC4-1T Add: LPF, preamp bypass, osc pwr disconnect jumpers, SPI series termination Remove: LTC2208 mode option resistors, 122.88MHz clock trace to FPGA, dig ground at shield
07 Jun 2008	XA8	WA2DFI	Add: decoupling to U2, U4, U5, U6 Add: clamp on Atlas C16 Change preamp bypass
09 Jun 2008	XA9	KK7P	Add Relay Driver, tie grounds at U5, modify LPF at preamp.
20 Jun 2008	XA10	KK7P	Modify bypass at preamp.
25 Jul 2008	XA11	KK7P	Revise preamp, add ATTN/LPF/Relay to front end.
31 Jul 2008	XA12	WA2DFI	Update R49, R50, R51, FL1, K1 properties. No electrical changes.
21 Sep 2008	A	KK7P	Production Release: K1 power change, add C97 - C99.
19 Sep 2010	B	KK7P	Released under TAPR Open Hardware License.

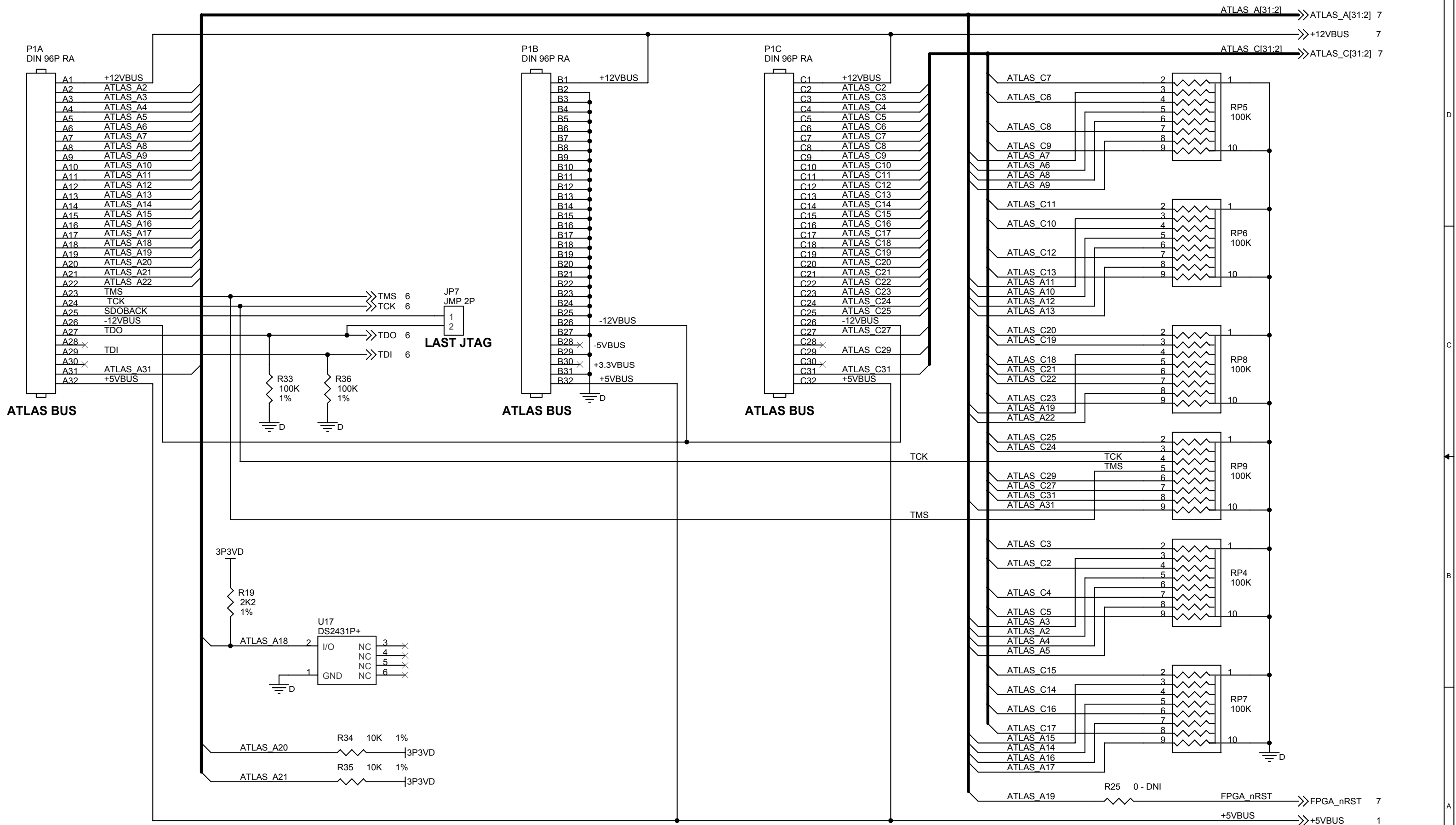
Copyright 2008-2010, Phil Harman, VK6APH and Lyle Johnson, KK7P.
 Derived from work by Phil Covington, N8VB.
 Released under TAPR Open Hardware License.
<http://www.tapr.org/OHL>

Title HPSDR Mercury: Power Supply		
Size B	Document Number 20080121	Rev B
Date: Sunday, September 19, 2010	Sheet 1	of 8



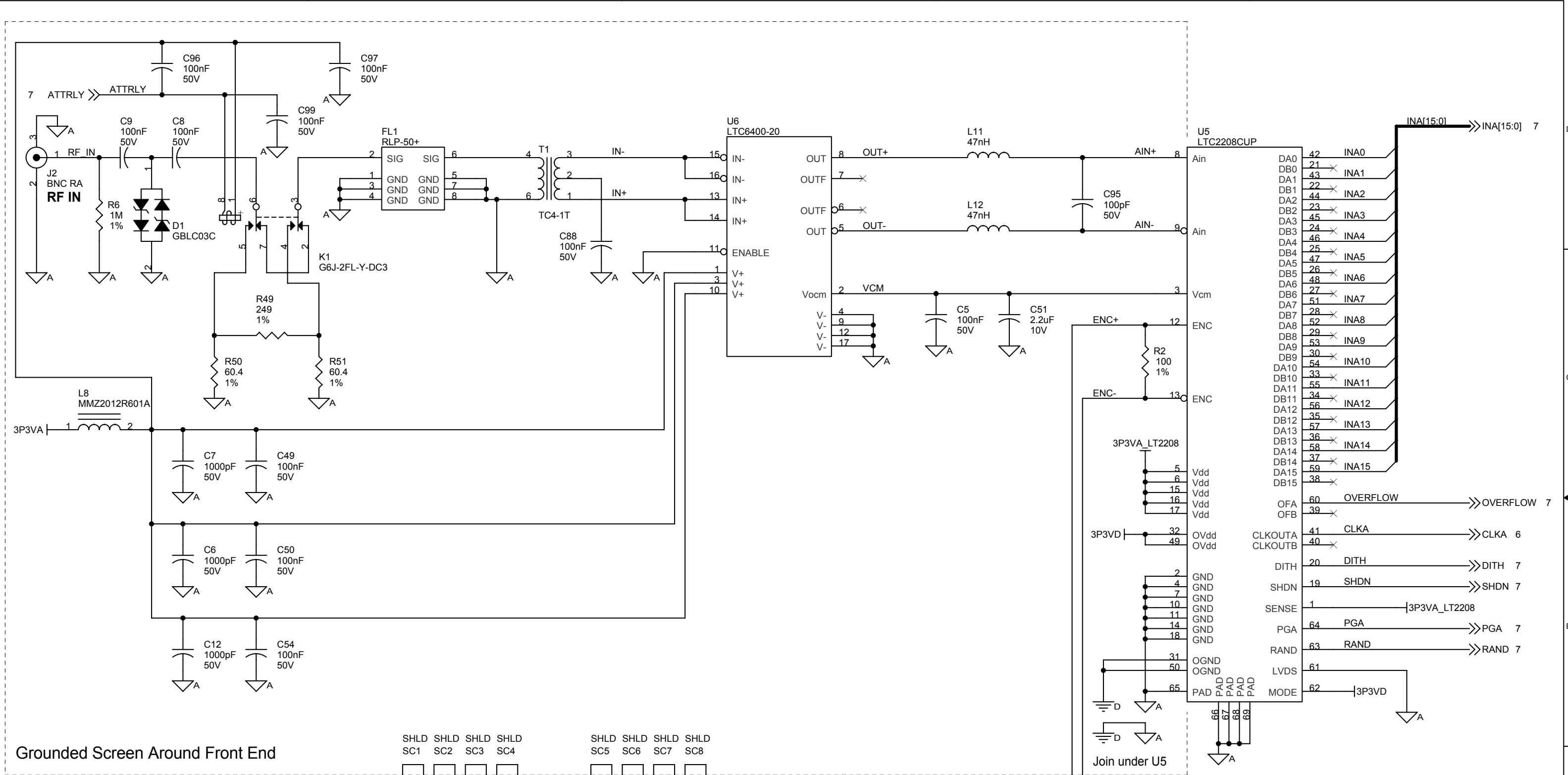
Copyright 2008-2010, Phil Harman, VK6APH and Lyle Johnson, KK7P.
 Derived from work by Phil Covington, N8VB.
 Released under TAPR Open Hardware License.
<http://www.tapr.org/OHL>

Title		
HPSDR Mercury: Bypass and FPGA Power		
Size	Document Number	Rev
B	20080121	B
Date:	Sunday, September 19, 2010	Sheet 2 of 8

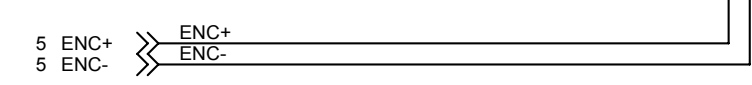
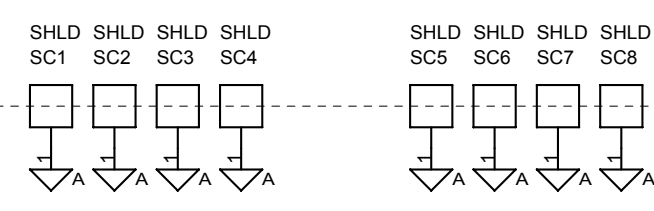


Copyright 2008-2010, Phil Harman, VK6APH and Lyle Johnson, KK7P.
 Derived from work by Phil Covington, N8VB.
 Released under TAPR Open Hardware License.
<http://www.tapr.org/OHL>

Title HPSDR Mercury: Atlas Connector		
Size B	Document Number 20080121	Rev B
Date: Sunday, September 19, 2010	Sheet 3	of 8

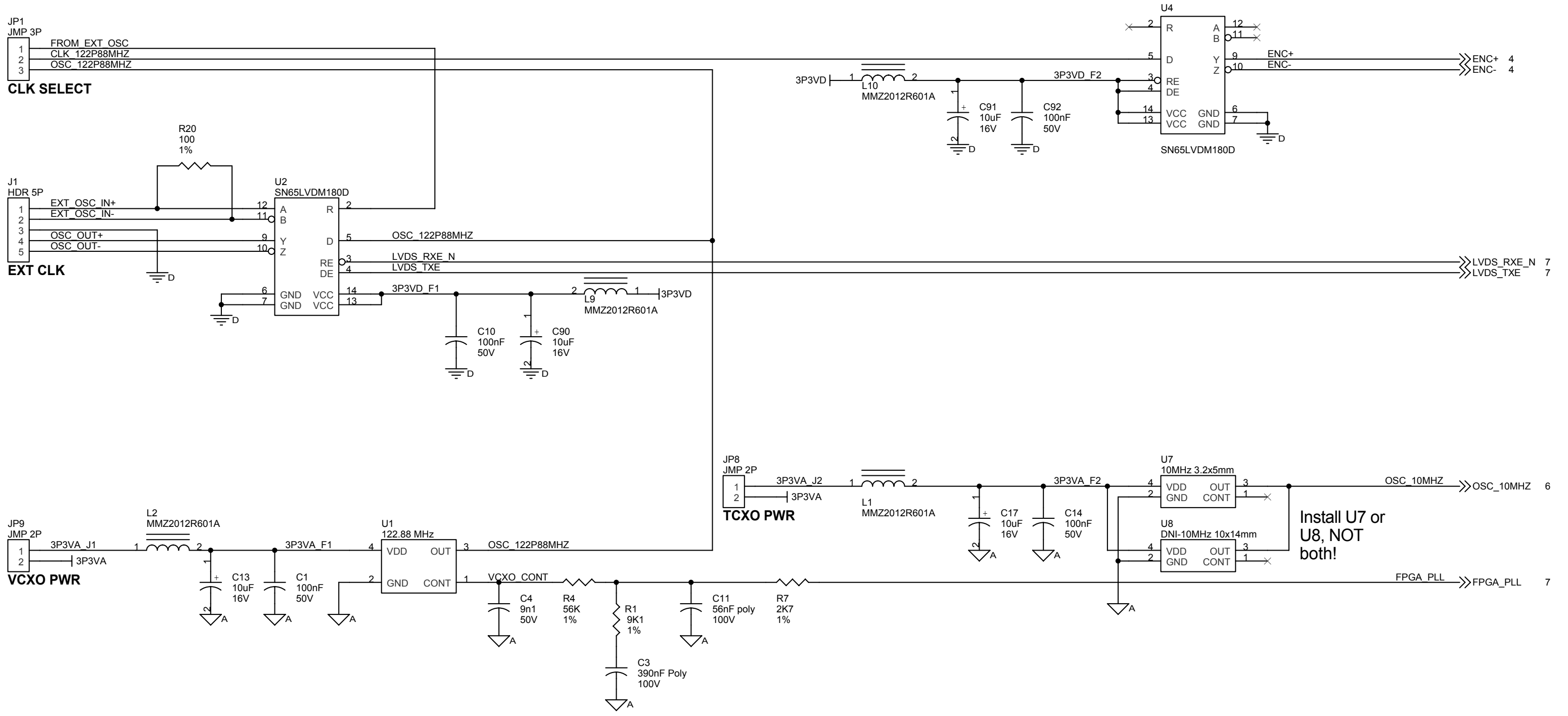


Grounded Screen Around Front End



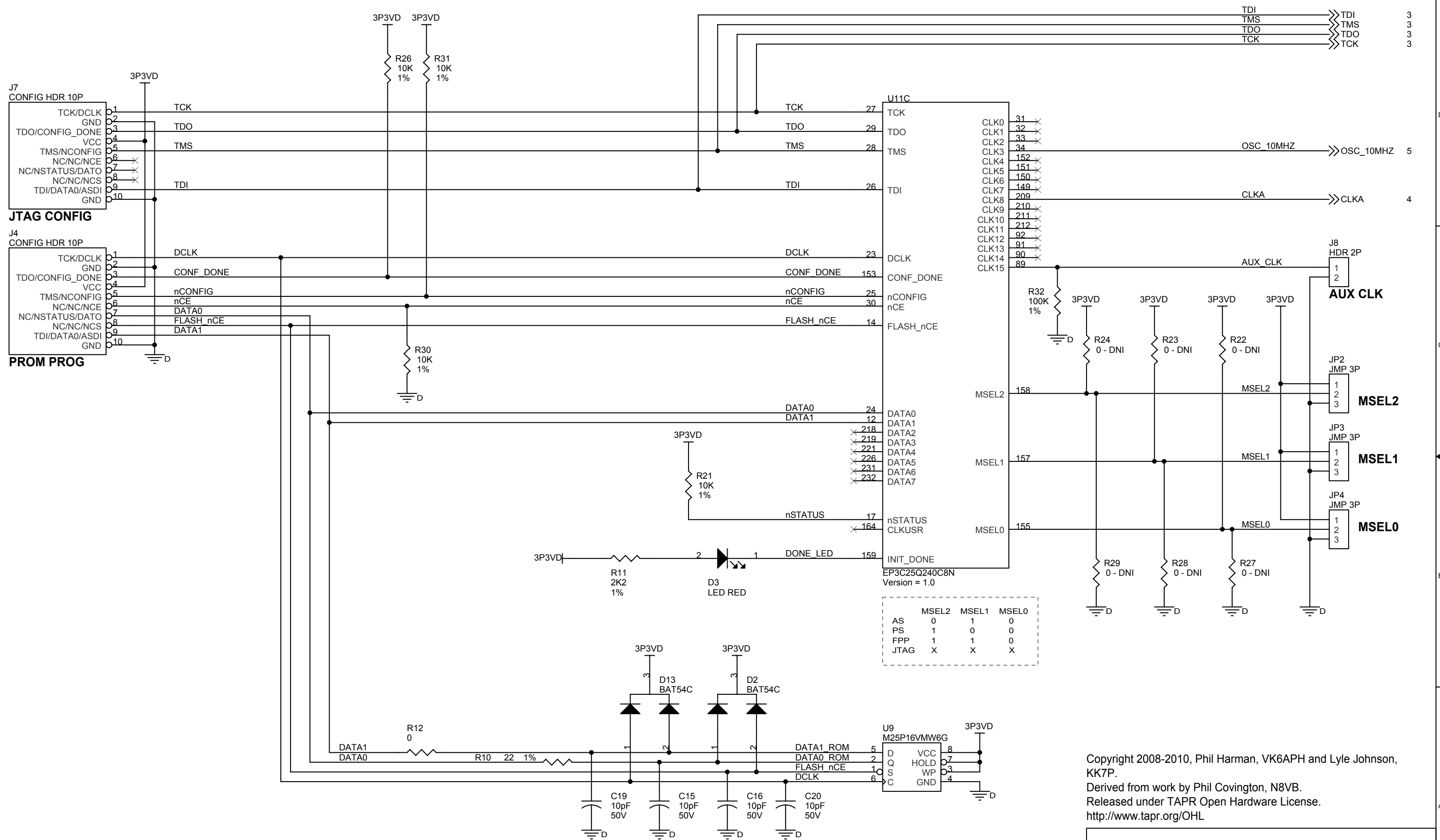
Copyright 2008-2010, Phil Harman, VK6APH and Lyle Johnson, KK7P.
 Derived from work by Phil Covington, N8VB.
 Released under TAPR Open Hardware License.
<http://www.tapr.org/OHL>

Title		
HPSDR Mercury: Front End		
Size	Document Number	Rev
B	20080121	B
Date:	Sunday, September 19, 2010	Sheet 4 of 8



Copyright 2008-2010, Phil Harman, VK6APH and Lyle Johnson, KK7P.
 Derived from work by Phil Covington, N8VB.
 Released under TAPR Open Hardware License.
<http://www.tapr.org/OHL>

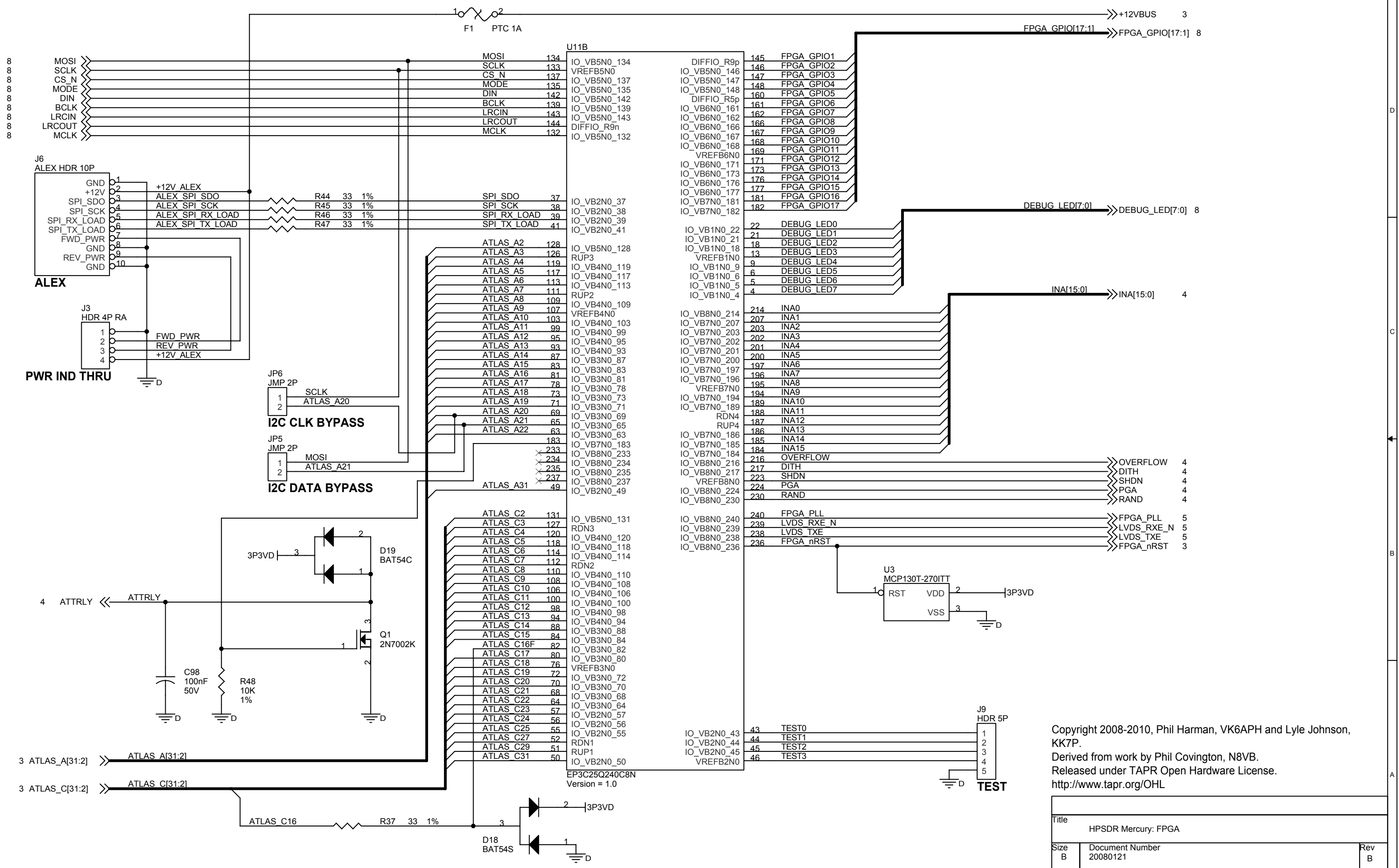
Title		
HPSDR Mercury: Clocks		
Size	Document Number	Rev
B	20080121	B
Date:	Sunday, September 19, 2010	Sheet 5 of 8



	MSEL2	MSEL1	MSEL0
AS	0	1	0
PS	1	0	0
FPP	1	1	0
JTAG	X	X	X

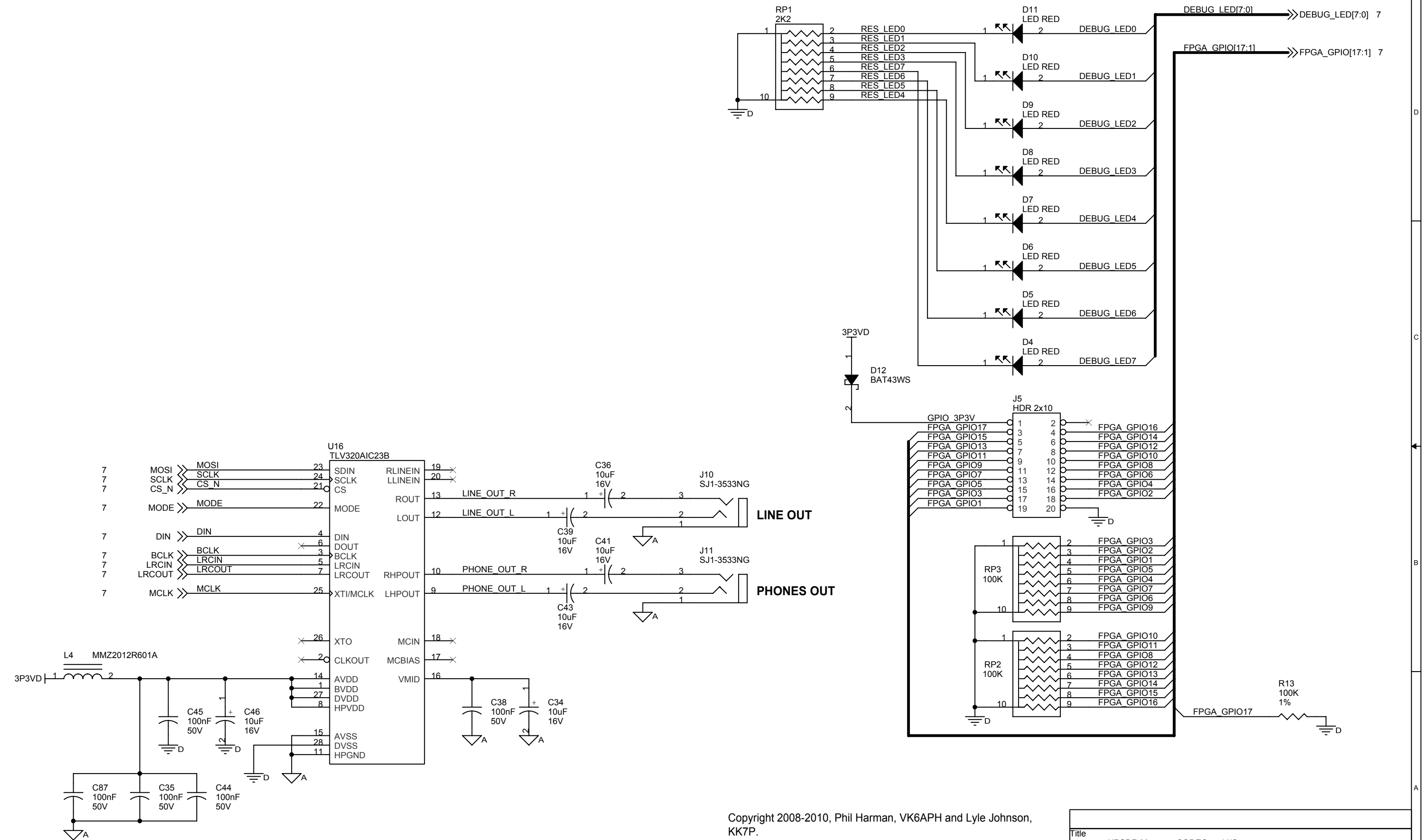
Copyright 2008-2010, Phil Harman, VK6APH and Lyle Johnson, KK7P.
 Derived from work by Phil Covington, N8VB.
 Released under TAPR Open Hardware License.
<http://www.tapr.org/OHL>

Title HPSDR Mercury: FPGA Configuration		
Size B	Document Number 20080121	Rev B
Date: Sunday, September 19, 2010	Sheet 6	of 8



Copyright 2008-2010, Phil Harman, VK6APH and Lyle Johnson, KK7P.
 Derived from work by Phil Covington, N8VB.
 Released under TAPR Open Hardware License.
<http://www.tapr.org/OHL>

Title		
HPSDR Mercury: FPGA		
Size	Document Number	Rev
B	20080121	B
Date:	Sunday, September 19, 2010	Sheet 7 of 8



Copyright 2008-2010, Phil Harman, VK6APH and Lyle Johnson, KK7P.
 Derived from work by Phil Covington, N8VB.
 Released under TAPR Open Hardware License.
<http://www.tapr.org/OHL>

Title		
HPSDR Mercury: CODEC and I/O		
Size	Document Number	Rev
B	20080121	B
Date:	Sunday, September 19, 2010	Sheet 8 of 8