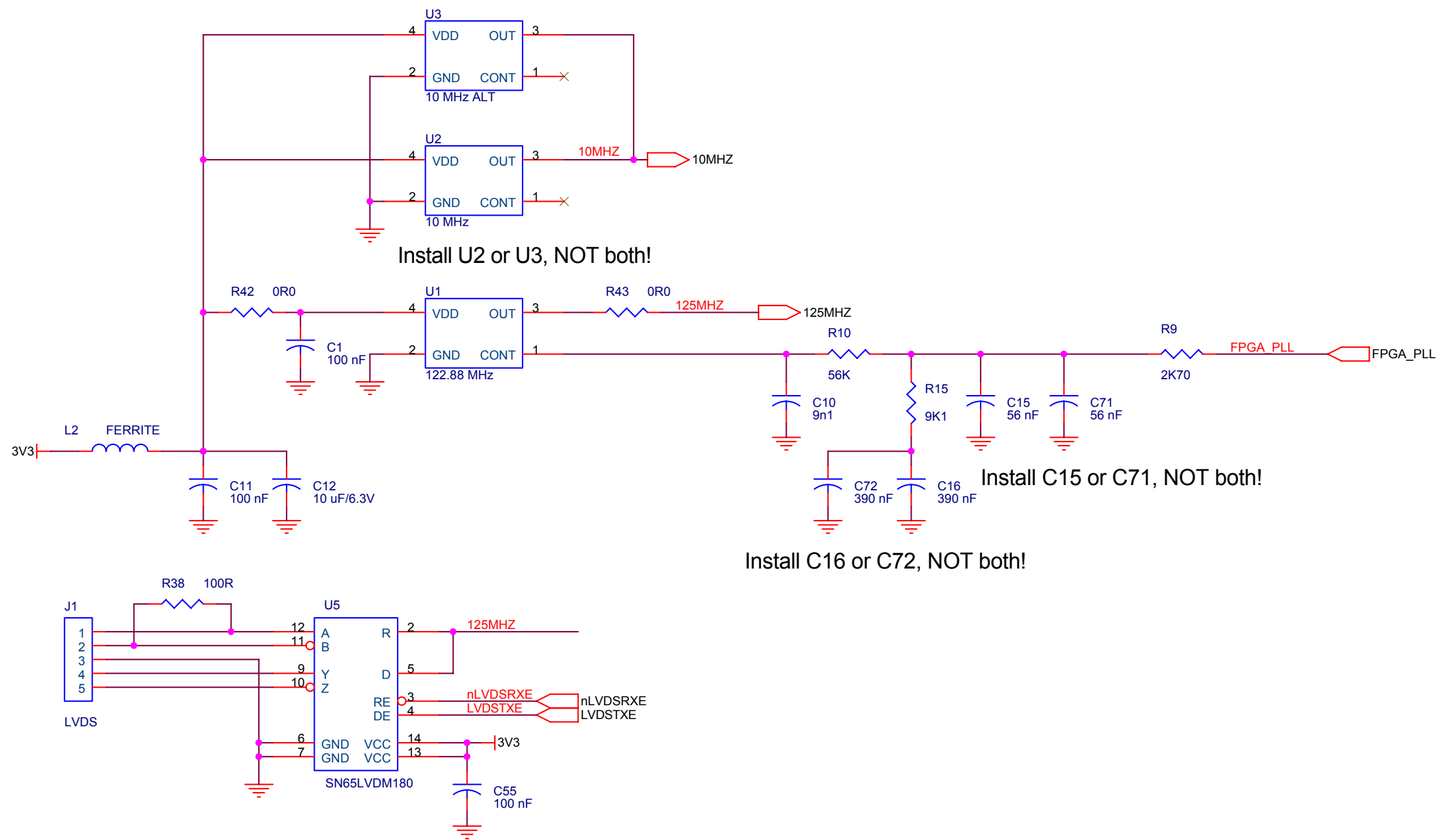


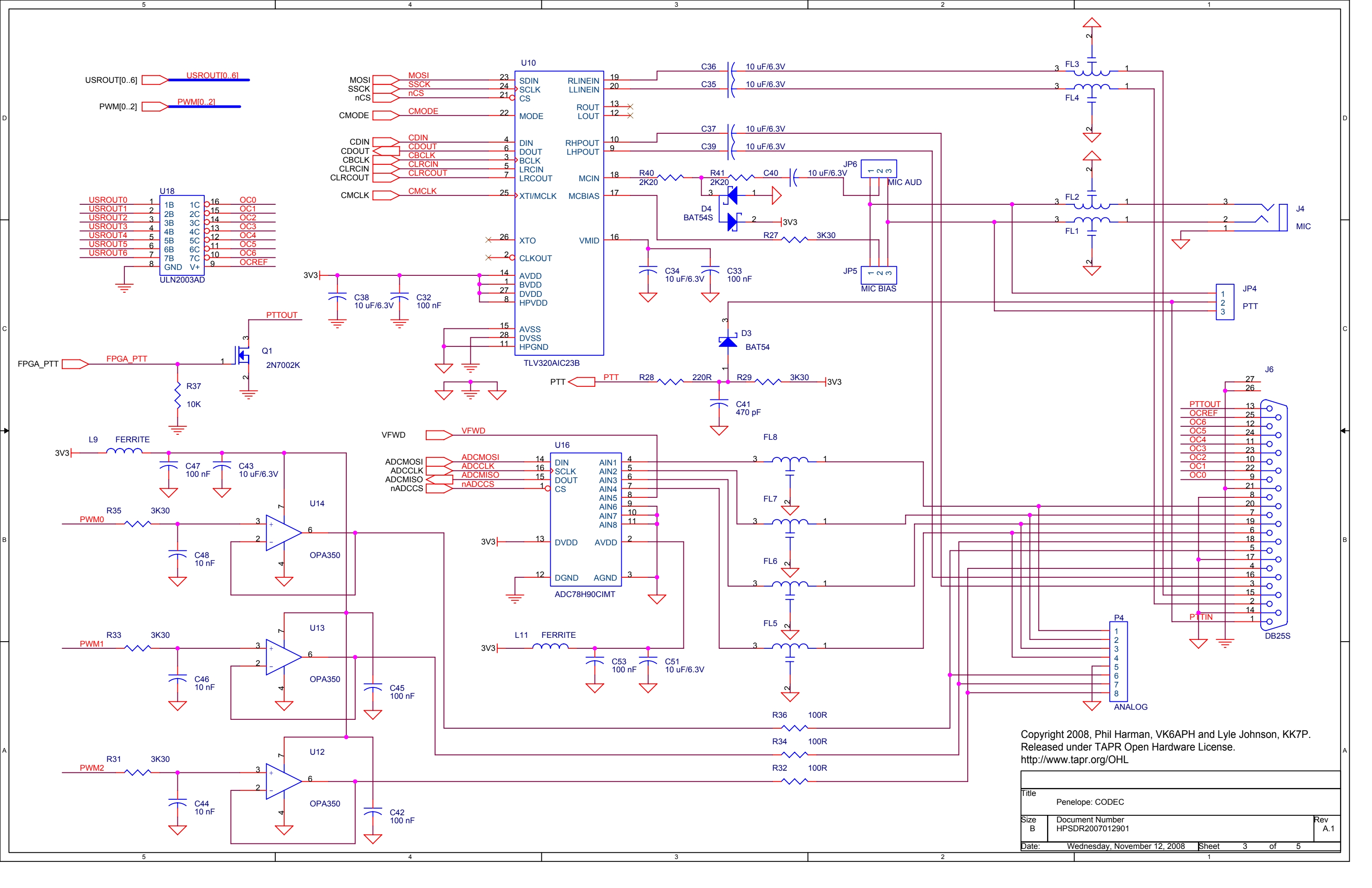
Copyright 2008, Phil Harman, VK6APH and Lyle Johnson, KK7P.
 Released under TAPR Open Hardware License.
<http://www.tapr.org/OHL>

Title		
Penelope: TOP		
Size	Document Number	Rev
B	HPSDR2007012901	A.1
Date:	Wednesday, November 12, 2008	Sheet 1 of 5



Copyright 2008, Phil Harman, VK6APH and Lyle Johnson, KK7P.
 Released under TAPR Open Hardware License.
<http://www.tapr.org/OHL>

Title		
Penelope: Clocks		
Size	Document Number	Rev
B	HPSDR2007012901	A.1
Date:	Wednesday, November 12, 2008	Sheet 2 of 5



USROUT[0..6] → **USROUT0..6**
 PWM[0..2] → **PWM0..2**

U18: ULN2003AD
 USROUT0 → 1B → 16 → OC0
 USROUT1 → 2B → 15 → OC1
 USROUT2 → 3B → 14 → OC2
 USROUT3 → 4B → 13 → OC3
 USROUT4 → 5B → 12 → OC4
 USROUT5 → 6B → 11 → OC5
 USROUT6 → 7B → 10 → OC6
 GND → 8 → GND
 V+ → 9 → V+

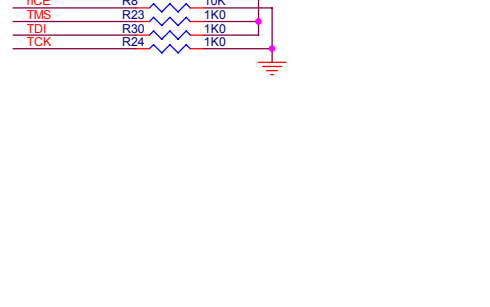
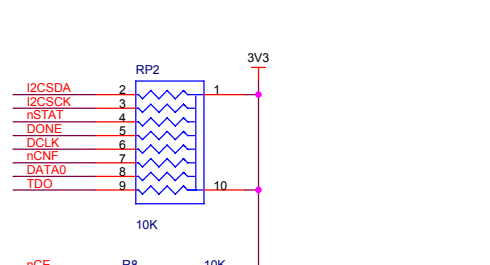
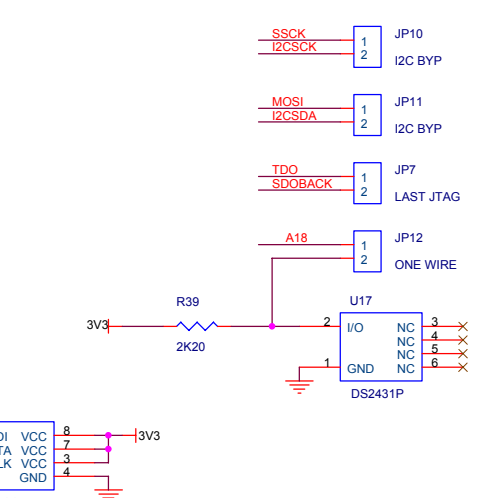
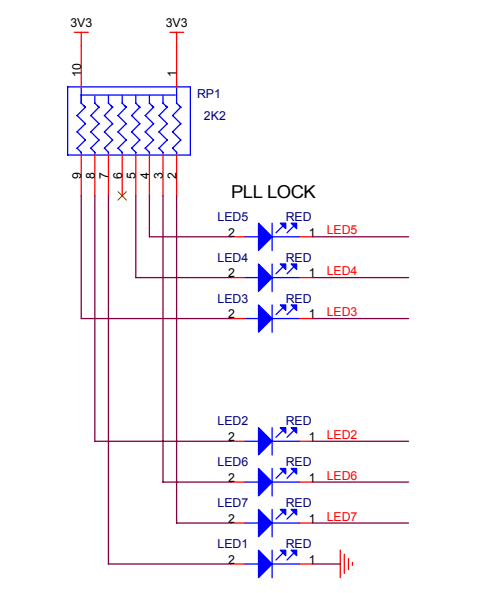
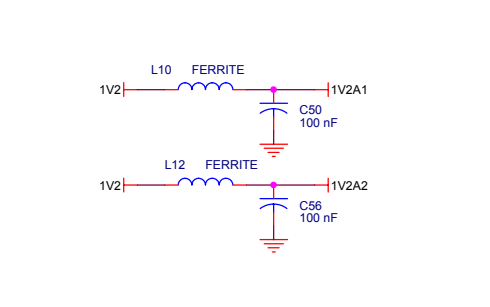
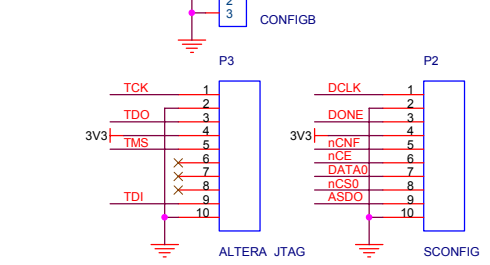
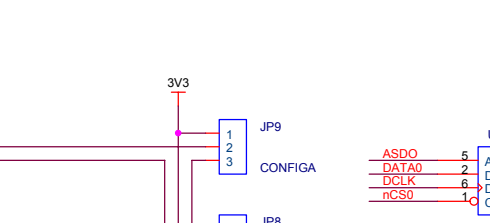
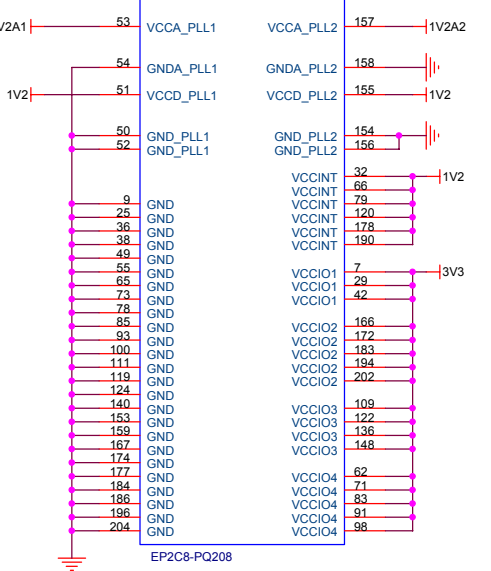
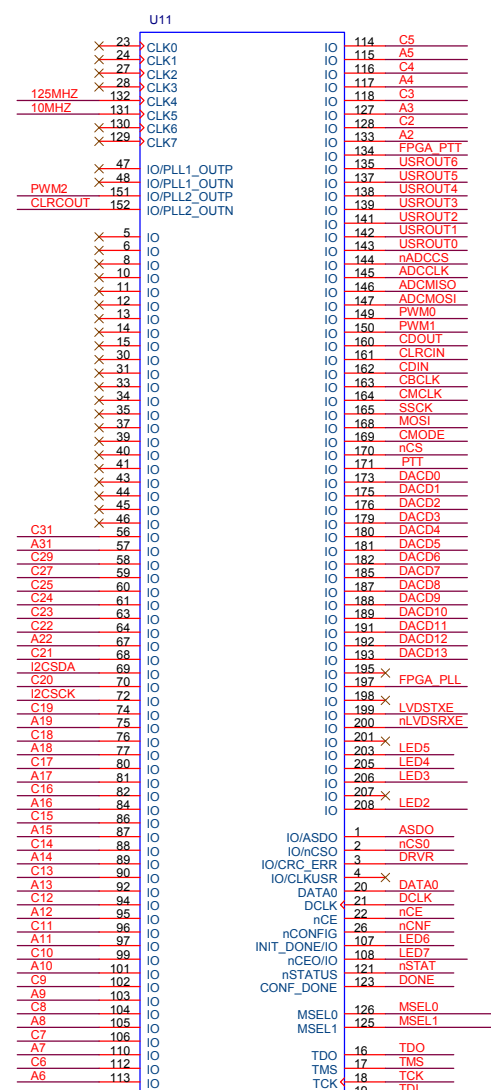
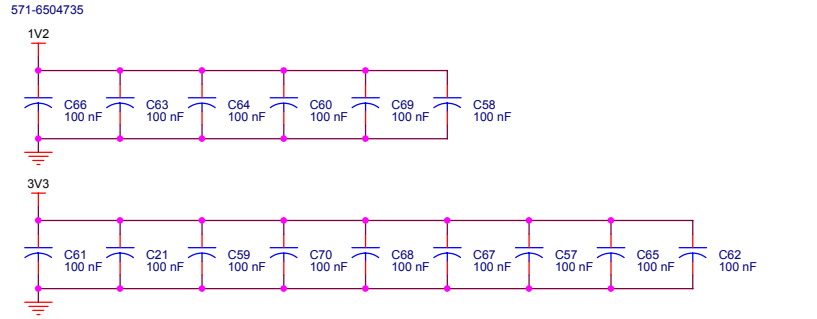
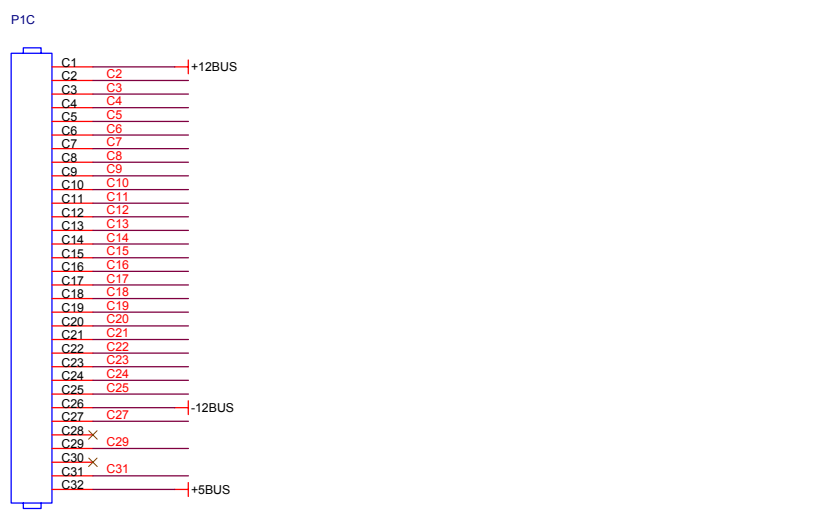
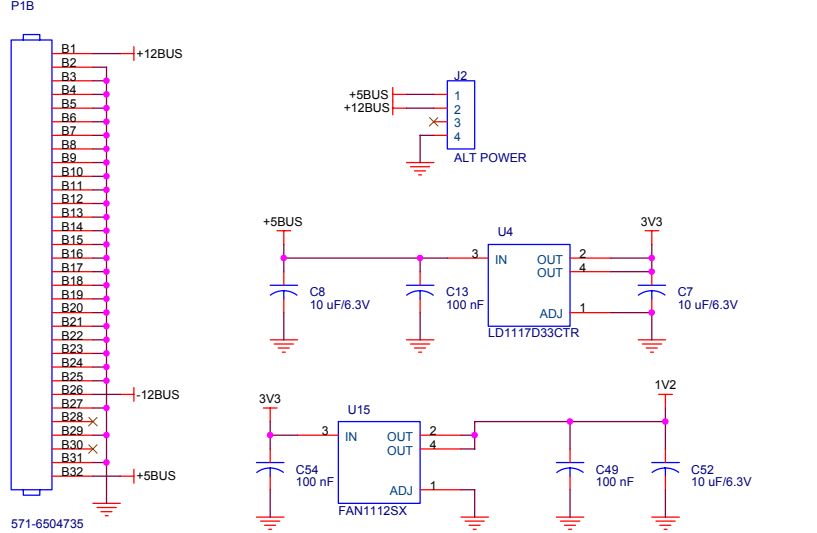
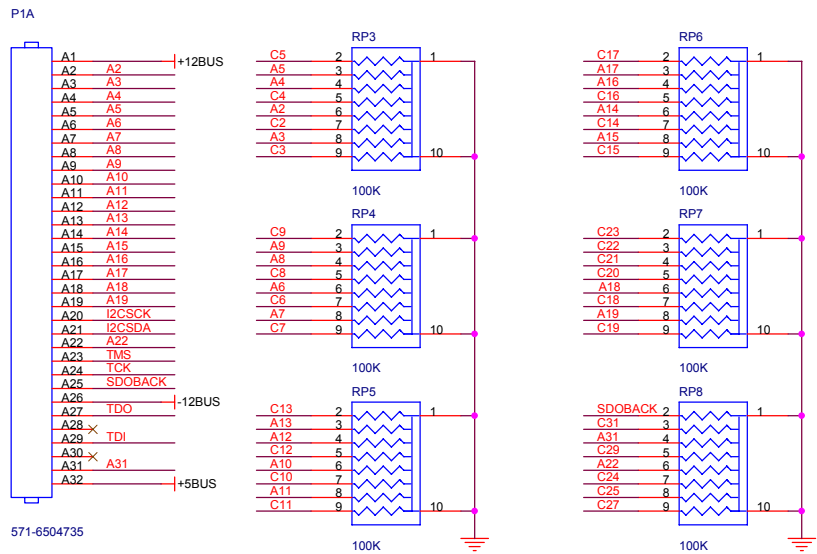
U10: TLV320AIC23B
 MOSI → 23 → SDIN
 SSCK → 24 → SCLK
 nCS → 21 → CS
 CMODE → 22 → MODE
 CDIN → 4 → DIN
 CDOUT → 6 → DOOUT
 GBCLK → 3 → BCLK
 CLRCIN → 5 → LRCIN
 CLRCOUT → 7 → LRCOUT
 CMCLK → 25 → XT/MCLK
 XTO → 26 → XT/MCLK
 CLKOUT → 2 → XT/MCLK
 AVDD → 14 → AVDD
 BVDD → 1 → BVDD
 DVDD → 27 → DVDD
 HPVDD → 8 → HPVDD
 AVSS → 15 → AVSS
 DVSS → 28 → DVSS
 HPGND → 11 → HPGND

U16: ADC78H90CIMT
 ADCMOSI → 14 → DIN
 ADCCLK → 16 → SCLK
 ADCMISO → 15 → DOUT
 nADCCS → 1 → CS
 AIN1 → 4
 AIN2 → 5
 AIN3 → 6
 AIN4 → 7
 AIN5 → 8
 AIN6 → 9
 AIN7 → 10
 AIN8 → 11
 DVDD → 13 → DVDD
 AVDD → 2 → AVDD
 DGND → 12 → DGND
 AGND → 3 → AGND

J6: DB25S
 PTTOUT → 13
 OCREF → 25
 OC6 → 12
 OC5 → 24
 OC4 → 11
 OC3 → 23
 OC2 → 10
 OC1 → 22
 OC0 → 9
 PTTIN → 1

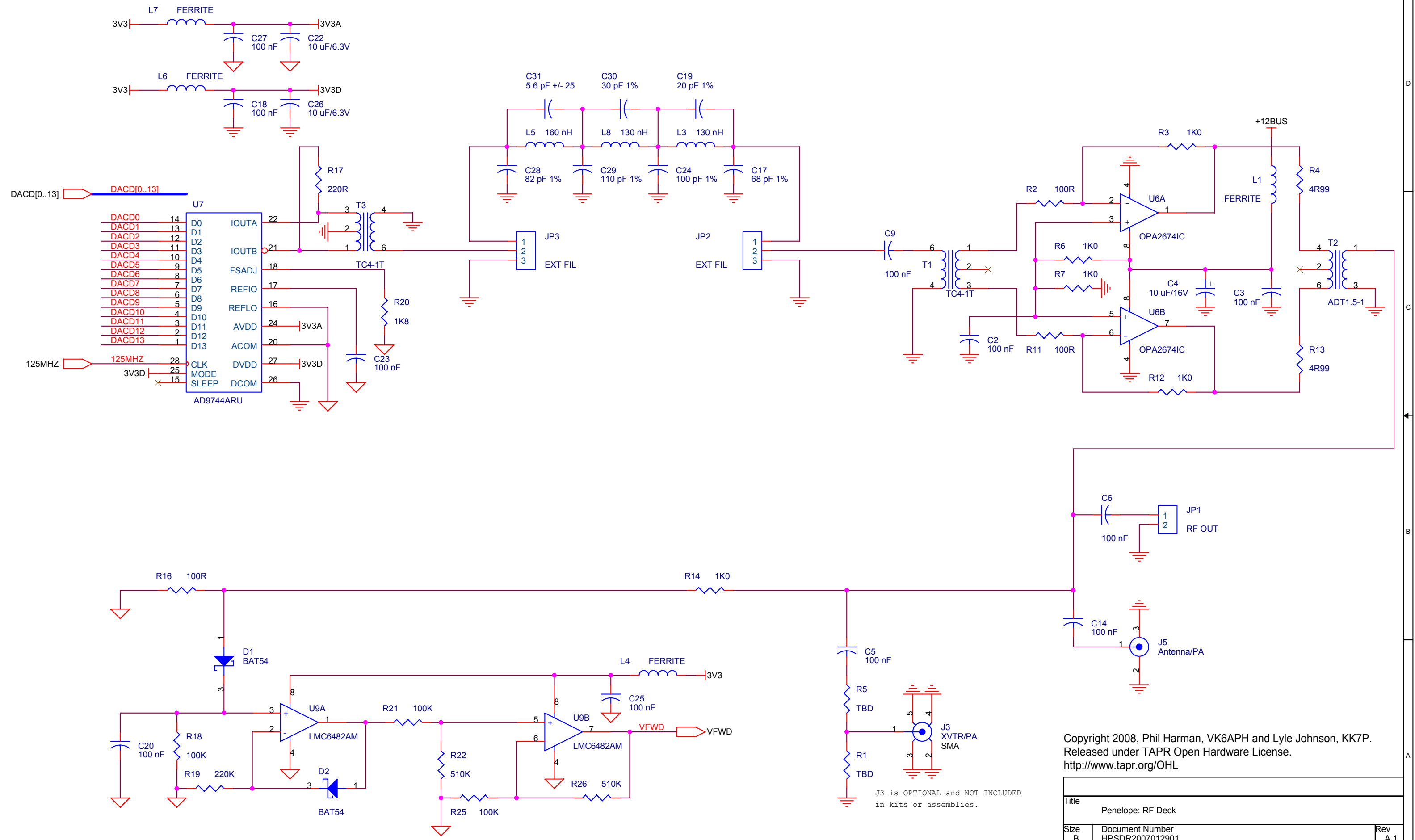
Copyright 2008, Phil Harman, VK6APH and Lyle Johnson, KK7P.
 Released under TAPR Open Hardware License.
<http://www.tapr.org/OHL>

Title: Penelope: CODEC		
Size: B	Document Number: HPSDR2007012901	Rev: A.1
Date: Wednesday, November 12, 2008	Sheet: 3	of 5



Copyright 2008, Phil Harman, VK6APH and Lyle Johnson, KK7P.
Released under TAPR Open Hardware License.
<http://www.tapr.org/OHL>

Title			Penelope: FPGA		
Size	Document Number			Rev	
C	HPSDR2007012901			A.1	
Date:	Wednesday, November 12, 2008	Sheet	4	of	5



Copyright 2008, Phil Harman, VK6APH and Lyle Johnson, KK7P.
 Released under TAPR Open Hardware License.
<http://www.tapr.org/OHL>

Title		
Penelope: RF Deck		
Size	Document Number	Rev
B	HPSDR2007012901	A.1
Date:	Wednesday, November 12, 2008	Sheet 5 of 5

J3 is OPTIONAL and NOT INCLUDED
 in kits or assemblies.